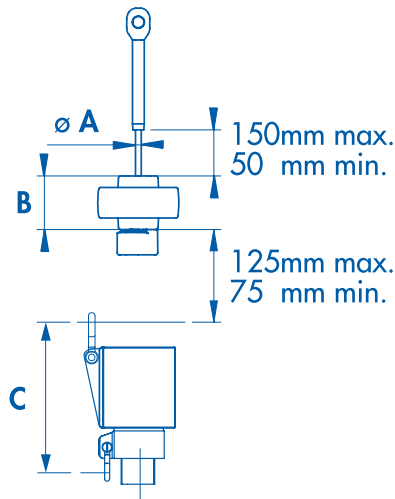


EF DIMENSIONS



photo credit : HINCKLEY 42 DS © Phil Bennett



MODEL Elec. furler	EF 470 SX47	EF 600 SX 53
Section /Swivel Ref.	SX 47 / CX47	SX 53 / C600
max. forestay \varnothing (* turnbuckle)	12 mm* 14 mm*	22 mm*
B	53	52
C	226	235
D*	103	124
E	215	440
F	75	75
G	720	720
M4	272	272
$\varnothing I$	19	19
J	60	60
$\varnothing K$	72	85
$\varnothing L$	72	86
M1	174	174
M2	150	150
M3	315	315
N	93	93
Q	435	671
R	265	265
S	53	53
T	78	78

* End of the telescopic section

