



Hydraulic motorised furling systems brings ease of use to sailing handing on yachts 42' and over. The Facnor HF range is suitable for yachts unto 72' often equipped with other hydraulic devices.

photo credit : MichaelSchmidlYachtBau / explorer

THE HYDRAULIC MOTORIZATION: POWER & TORQUE

HF Hydraulic

- Plugged on standard hydraulic devices (max 140 bars*)
- Durable drive unit, waterproof and compact, low noise level
- Power ratio / Optimum torque
- Installation on existing forestay
- Compact : reduced dimensions compared with a classic drum
- Quick installation : split foot (HF700) + internal turnbuckle fitting
- No specific maintenance. International 3-year warranty

**See chart against. In case of debit higher than the recommended one, please contact one agent. A debit control will be needed.*

Special aluminium cover

Strong drive unit

Anticorrosion surface treatment

increased durability

3 compact models

from 42 to 72'



42 → 60'
HF500 & 600

60 → 72'
(HF700)

Installation over existing forestay

Passing through the drive unit.



SX foil sections

Capacity to support high level torques (see page 24)

Back up device

situated on starboard for emergency handling (or the Facnor emergency continuous line system).



(after use, screw the cap back)

Reduced lateral dimensions

(increased space for anchoring)

specific to HF700 :
removable split polished base for easy installation and access to the turnbuckle without dismantling forestay.



HYDRAULIC MOTORISED RANGE

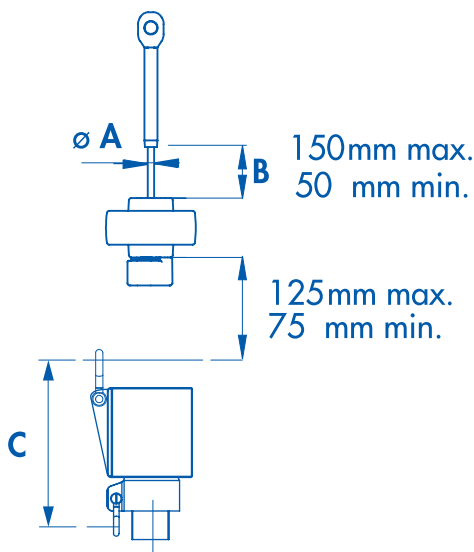
Technical datas :

- Option : wired or radio remote control (see page 18)

Boat Length	Max forestay \varnothing	Section / Swivel	Model ref.	Forestay length	hydraulic connections	Max recommended / pressure (bars)	Max recommended / flow (L/min)	Max. rotation speed (RPM ¹ /mn)
14 → 18 m 42' → 54'	14*	SX47 / C47	HF550	18m 50	9/16"	125 (140 max)	15 (20 max)	30
				20m 50				
18 → 20 m 54' → 60'	19*	SX53 / C600	HF600	22m 50				
				24m 50				
20 → 24 m 60' → 72'	22* /#76*		HF700	28m 50	3/8"	15-18 (20 max)	60	
				30m 50				

RPM¹ : Rotations per Minute

*Installation with swage rigging screw or "manual"



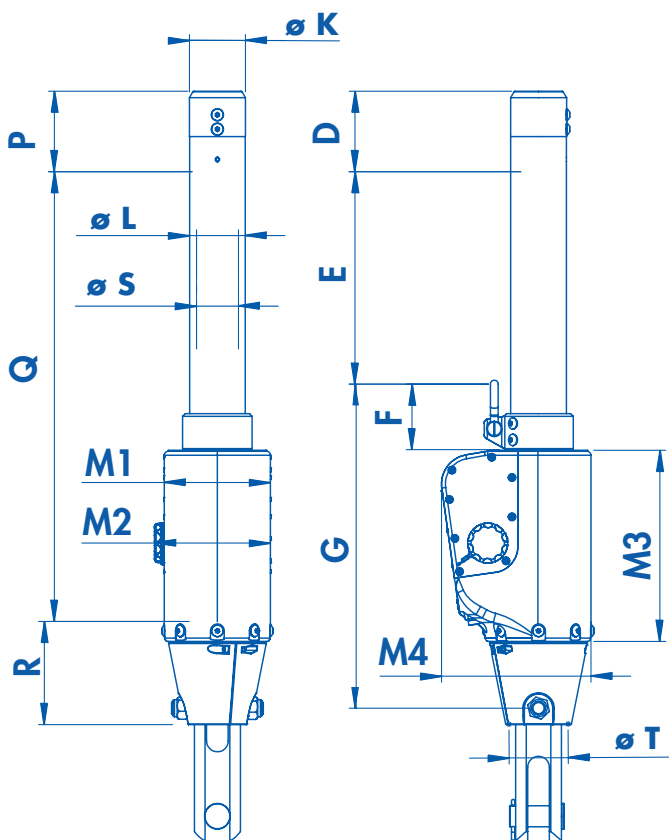
Stainless steel toggle & link plates

- Fitted according to bottom forestay terminal (turnbuckle + toggle or eye + toggle). Toggle and stainless steel link plates are delivered in the standard kit.

HF Sections :

- Standard SX47 & SX53 foil sections are common to all systems (see page 24).
- SC carbon sections available (see p. 24)

HF DIMENSIONS



Rep.	HF MODEL		
	HF 550	HF 600	HF 700
Section / Swivel Ref.	SX 47 C47	SX 53 C600	SX 53 C600
A = max. forestay \varnothing (* turnbuckle)	14 mm*	19 mm*	22 mm* #76*
B	53	53	52
C	226	226	235
D*	106	103	123
E	248	263	325
F	77	82	100
G	536*	770	495
M4	216	267	267
\varnothing K	72	72	85
\varnothing L	70	72	85
M1	146	146	162
M2	16	172	177
M3	185	324	292
P	106	103	123
Q	485	435	686
R	89	265	158
\varnothing S	50	53	64
T	75	78	90