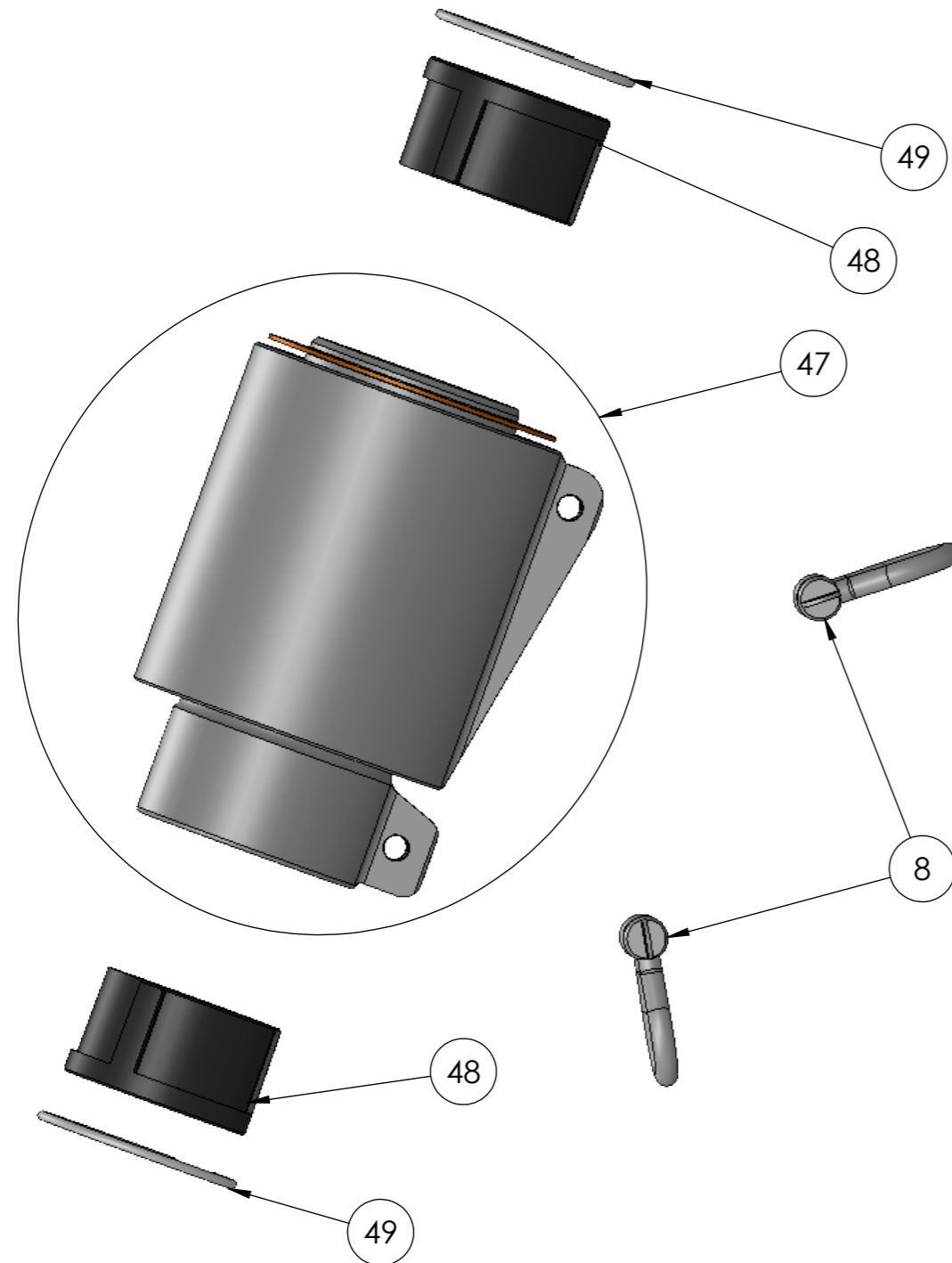


ECLATE CURSEUR EMERILLON ETANCHES RLTS ACIER
MODELES C14/24/33/39/47 (Profils SX/R) & C38/46 (ancien profil S)
EXPLODED DRAWING OF WATERPROOF HALYARD SWIVEL (STEEL BEARING)
C14/24/33/39/47 (SX/R section) & C38/46 (S former section)



Rep.	Désignation	Description
8	Manille lyre	Bow shack
47	Mécanisme émerillon partiel	Partial swivel mechanism
48	Bague interne	Internal sleeve
49	Jonc	Clips