

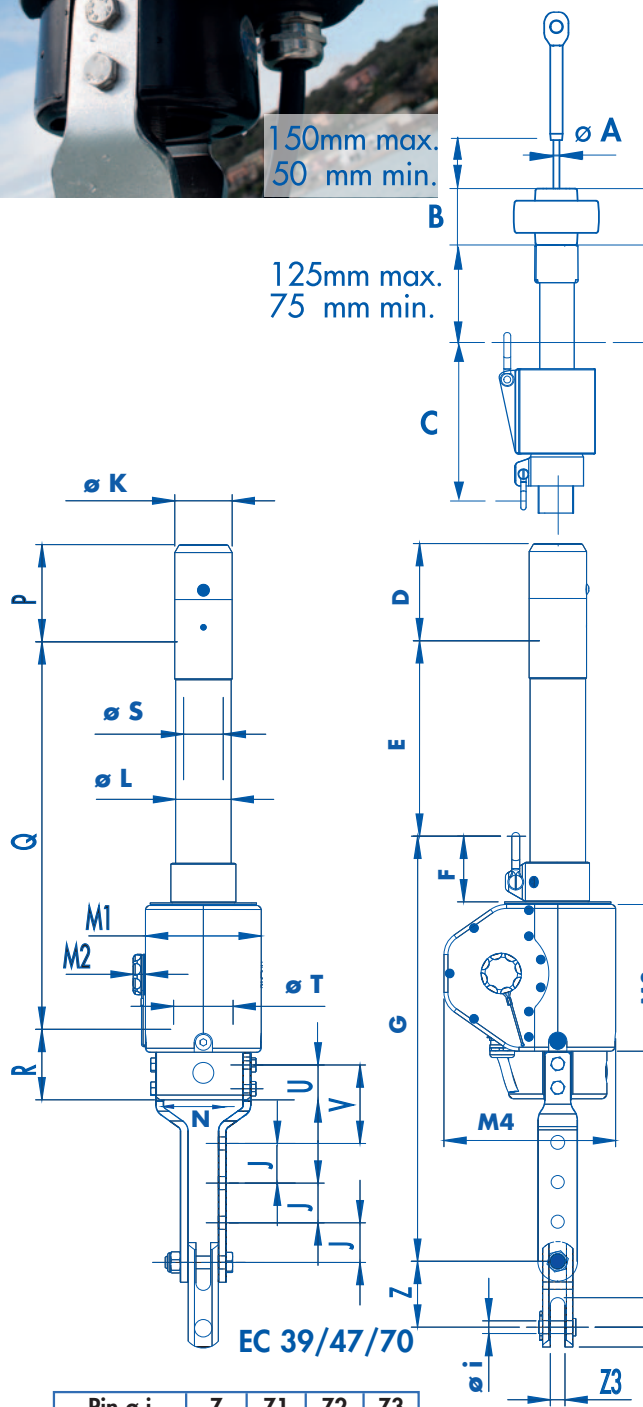
EC & EF+ DIMENSIONS



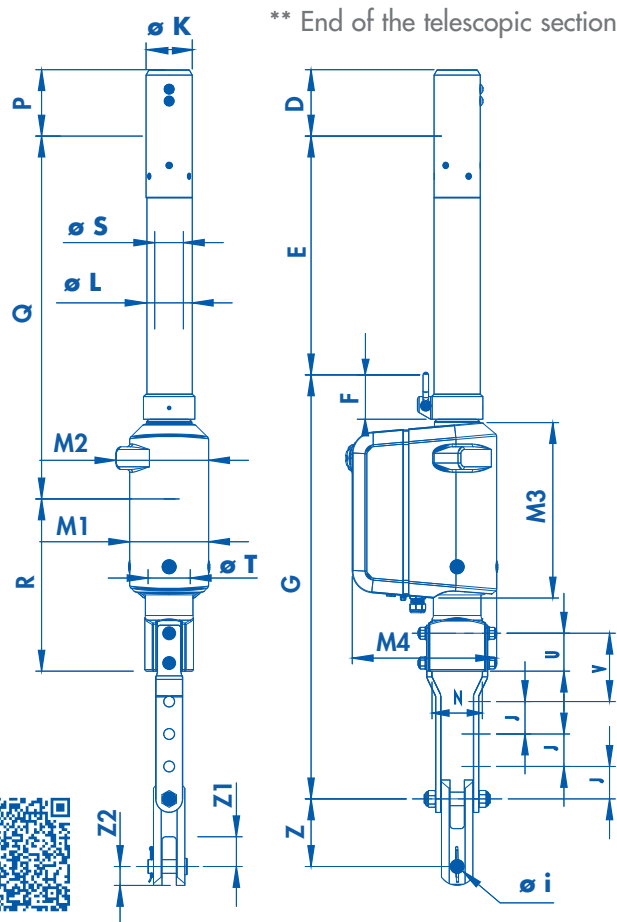
150mm max.
50 mm min.

125mm max.
75 mm min.

MODEL	EC 39	EC 47	EF+ 550	EF+ 600	EC 70
Elec. furler	SX 39	SX 47	SX 47	SX 53	SX 53
Section /Swivel Ref.	SX 39 C39	SX 47 C47	SX 47 CX47	SX 53 C600	SX 53 C600
A = max. forestay \varnothing (mm) (* turnbuckle)	$\varnothing 8$ $\varnothing 10^*$	$\varnothing 12$ $\varnothing 12,7^*$	$\varnothing 12$ $\varnothing 14^*$	$\varnothing 16$ $\varnothing 19^*/22^*$	$\varnothing 19^*$ $\varnothing 22^*$
B	53		53	53	52
C	175	220	220	228	
D**	98	106	103	123	127
E	162	248	263	486	404
F	62	77	82		101
G	496*	536*	770		515
J	50	50	60		-
M4	184	216	267		297
$\varnothing K$	60	72	72	85	85
$\varnothing L$	60	70	72	86	85
M1	122	146	146		200
M2	16		172		215
M3	160	185	324		310
N	78	100	93		-
P	98	106	103	123	127
Q	363	485	435	671	767
R	79	89	265	318	177
$\varnothing S$	42	50	53		64
T	54	75	78		80
U	39	44	70		-
V	105*	104*	126		-



EC 39/47/70



EF+ 550 & 600

Pin $\varnothing i$	Z	Z1	Z2	Z3
12.7	77	27	19	13
16	82	28	25	18.5
19	94	42	29	20,5
22	105	36.5	32.5	22.5
25	125	55	35	26.5
28	140	50	39	31
32	165	75	42	33
32 (EC70)	165	91	42	33



> EC/EF+ Instructions