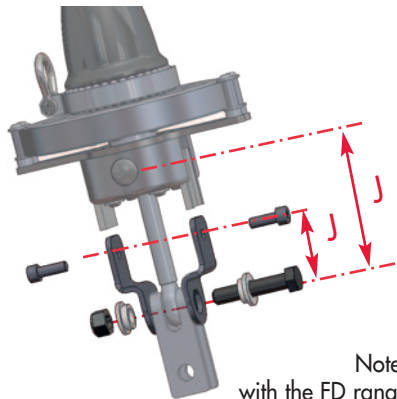


FD LINK PLATES DIMENSIONS



Note :
with the FD range:
Link plates pin/pin
= J

Link plates model			FD 90	FD 170	FD210	FD 280
			FD110	FD190	FD 230	FD310
STANDARD	short link plates kit	J1 (mm)	lgth 48	lgth 66		lgth 77
		thickness	thk 4	<thk 4		thk 5
OPTIONS	medium link plates kit	J2 (mm)	lgth 100	lgth 150		lgth 150*
		thickness	thk 4	thk 4		thk 5
	long link plates kit	J3 (mm)	lgth 200	lgth 250		lgth 250*
		thickness	thk 4	thk 5		thk 6