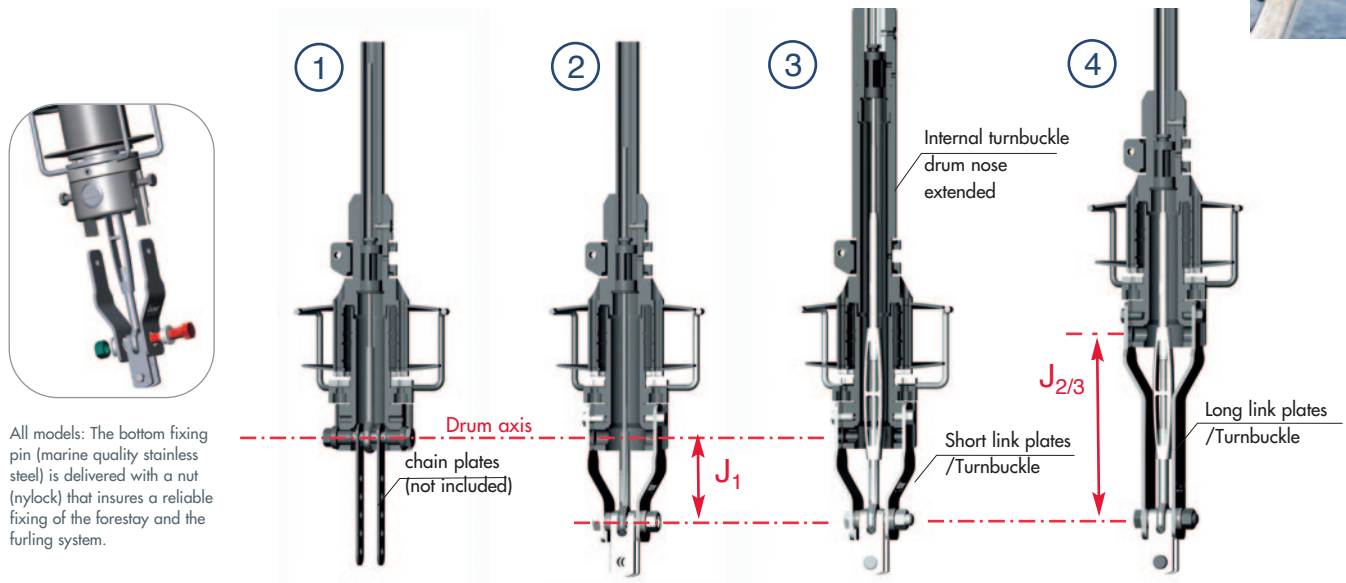




4 POSSIBLE TYPES OF INSTALLATION

The drum fixation depends on the bottom forestay terminal fitted on your boat :

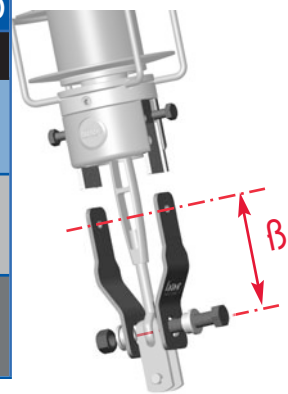


Bottom forestay terminal	Eye + chain plates	Eye + jaw toggle	Turnbuckle + double jaw toggle	Turnbuckle + double jaw toggle
Type of installation	① Standard	② with short link plates Option	③ with internal turnbuckle & short link plates Option	④ with long link plates Option

LINK PLATE KITS & INTERNAL TURNBUCKLE FITTINGS

Short link plates option pict ② ③: bent stainless steel plate 4 or 5 mm thick. Pin to pin = 100 ou 150 mm
Long link plates option pict ④: bent stainless steel plate 4 or 5 or 6 mm thick. Pin to pin = 200 ou 250 mm
Extra-long link plates option (only for biggest models): bent stainless steel plate 6 mm thick. Pin to pin = 350 mm.

Plates Option	LS 60	LS 70	LS 100	LS 130	LS 165	LS180	LS 200	LS290	LS330
	-	RX 70	RX 100	RX 130	RX 165	RX 220	RX260	RX300	-
Short link plates option - Pin to pin β Thickness (mm) + Height J1 / Standard (mm)		lgth 100 thk 4 + 82			lgth 150 thk 4 + 128		lgth 150 thk 5 + 126		
Long link plates option - Pin to pin β Thickness (mm) + Height J 2-3 / Standard (mm)		lgth 200 thk 4 + 182			lgth 250 thk 5 + 228		lgth 250 thk 6 + 226		
Extra-long link plates - Pin to pin β Thickness (mm) + Height J 2-3 / Standard (mm)	-	-	-	-	-	-	lgth 350 thk 6 + 326		



Internal turnbuckle option fig. ④: With the internal turnbuckle fitting, the turnbuckle can be positioned inside the drum and be easily adjusted. 5 models available

Internal turnbuckle option	LS 60	LS 70	LS 100	LS 130	LS 165	LS180	LS 200	LS290	LS330
LS Internal turnbuckle fitting ø inner dimension & lgth (mm)	ø 28 lgth 256	ø 34 lgth 279		ø 42 lgth 315		ø 50 lgth 432		ø 64 lgth 546	
RX Internal turnbuckle fitting ø inner dimension & lgth (mm)	-	RX 70	RX 100	RX 130	RX 165	RX 220	RX260	RX300	-
		ø 28 lgth 256		ø 34 lgth 279		ø 42 lgth 315		ø 50 lgth 432	

